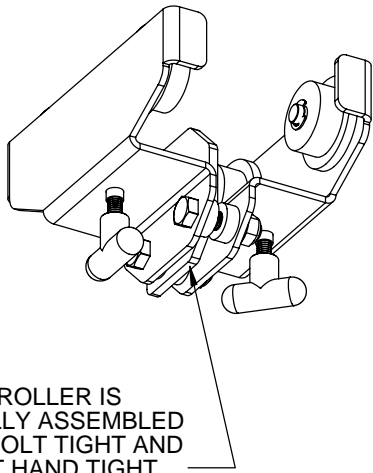




INSTALLATION

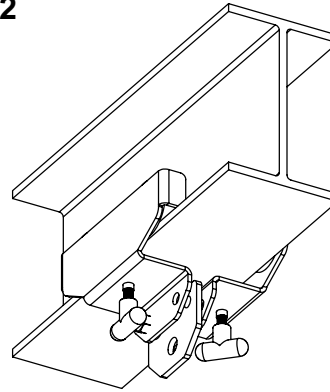
I-BEAM ROLLER MOUNT

STEP 1



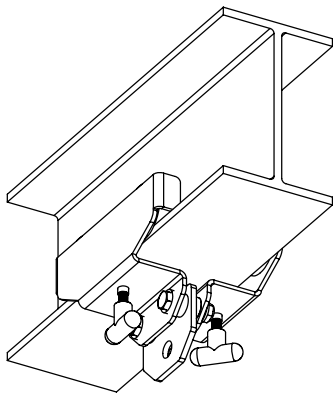
THE I-BEAM ROLLER IS SHIPPED PARTIALLY ASSEMBLED WITH ONE MAIN BOLT TIGHT AND ONE MAIN BOLT HAND TIGHT

STEP 2



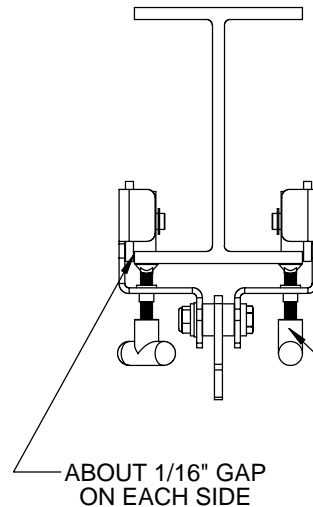
REMOVE THE MAIN BOLTS WITH A 3/4" WRENCH AND PLACE THE I-BEAM ROLLER OVER THE BOTTOM FLANGE OF YOUR I-BEAM

STEP 3



TIGHTEN THE MAIN BOLTS TIGHT AND CHECK FOR PLAY

STEP 4



WHEN THE MAIN BOLTS ARE TIGHT YOU SHOULD HAVE A SMALL AMOUNT OF PLAY SIDE-TO-SIDE. ADJUST THE AMOUNT OF SIDE-TO-SIDE PLAY BY ADDING OR REMOVING WASHERS & SPACERS INCLUDED

TURN BRAKE KNOBS IN TO LOCK IN PLACE

TURN BRAKE KNOBS OUT TO ROLL

