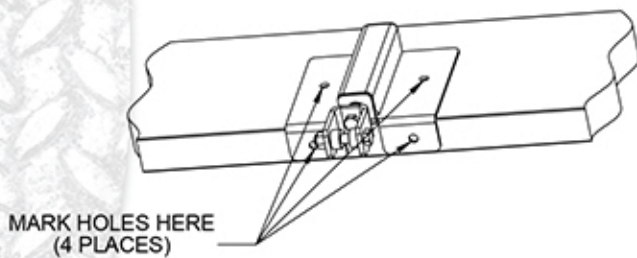




INSTALLATION

RAFTER MOUNT INSTALLATION INSTRUCTIONS

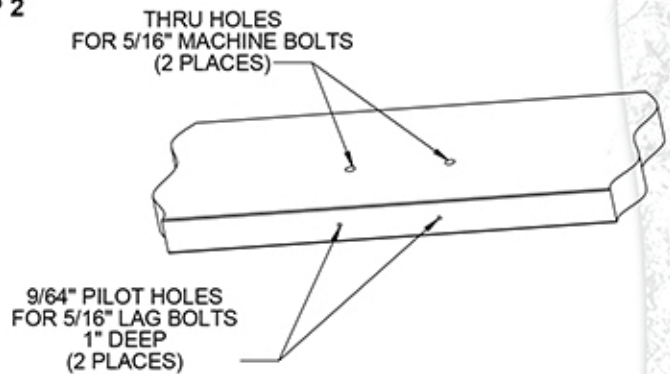
STEP 1



MARK HOLES HERE
(4 PLACES)

**HOLD SPRING MOUNT IN PLACE
AND MARK HOLE LOCATIONS
(4 PLACES)**

STEP 2

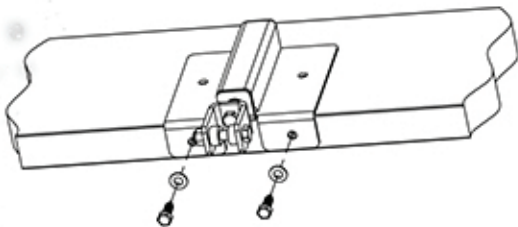


THRU HOLES
FOR 5/16" MACHINE BOLTS
(2 PLACES)

9/64" PILOT HOLES
FOR 5/16" LAG BOLTS
1" DEEP
(2 PLACES)

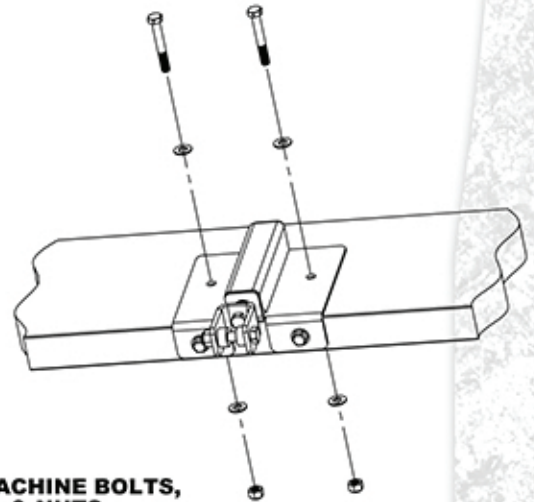
**DRILL 5/16" THRU HOLES
AND 9/64" X 1" DEEP PILOT HOLES**

STEP 3



**HOLD SPRING MOUNT IN PLACE
AND INSTALL 5/16" LAG BOLTS AND WASHERS
(2 PLACES)**

STEP 4



**INSTALL 5/16" MACHINE BOLTS,
WASHERS, & NUTS
(2 PLACES)**

