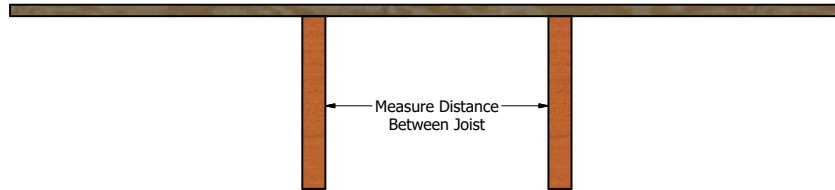


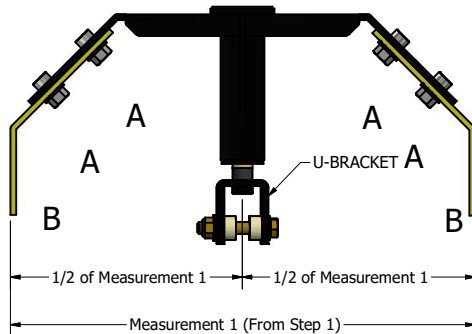
Thank you for your purchase of our RM-2000 Recessed Raft Mount.

Items you will need to install your new Recessed Rafter Mount

- Tape measure
- 9/16" wrench or socket & driver
- 9/32" or 5/16" drill bit (depending on wood type)
- Electric Drill

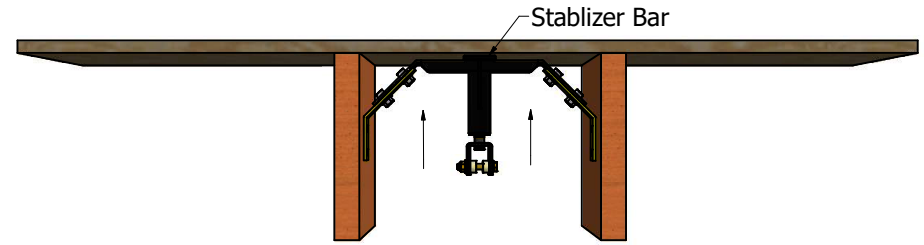


1. Measure the distance between joint so you can adjust your Recessed Rafter Mount.



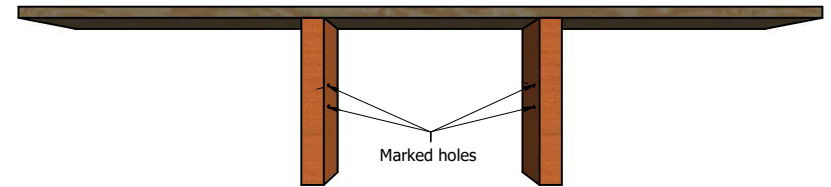
2. Adjust Bracket 'B' so 1/2 of measurement 1 is between center of U-Bracket and outside surface of Bracket 'B'.

3. Now finger tighten Bolts 'A' so Bracket 'B' does not move. Do not over-tighten bolts at this time.

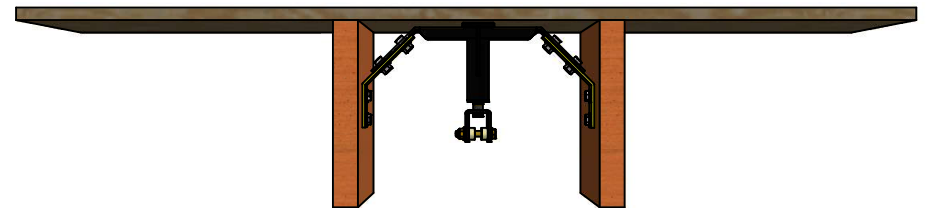


4. Slide your Recessed Rafter Mount up into location you measured in step 1. Make sure the Stablizer Bar is against the floor.

5. With your Recessed Rafter Mount in place, mark the mounting holes in Bracket 'B' with a pen or pencil. Remove your Recessed Rafter Mount.



6. With a drill, use a 9/32" drill bit, for softwood or 5/16" for hardwood, to drill a pilot hole for your mounting hardware provided with your Recessed Rafter Mount.



7. Now slide your Recessed Rafter Mount back up into place and use the provided hardware to secure it to your rafters.

Tip: Use Beewax or liquid soft to help drive the hardware into your rafters.

DIMENSIONAL TOLERANCES			
1/32 ± .032	.00 ± .02	.000 ± .005	.0000 ± .0005
IMPORTANT			
THIS DRAWING AND THE DATA SHOWN THEREON IS PROPRIETARY, CONFIDENTIAL AND THE SOLE PROPERTY OF PROMOUNTINGS. DO NOT USE OR PRODUCE FOR ANY PURPOSE WITHOUT THE WRITTEN CONSENT OF PROMOUNTINGS.			

DRAWN John P Carr	7/29/2017	TITLE Installation Instructions	
CHECKED		 ProMountings	
QA			
MFG			
APPROVED		SIZE C	DWG NO
		SCALE 0.16	REV 0
			SHEET 1 OF 1