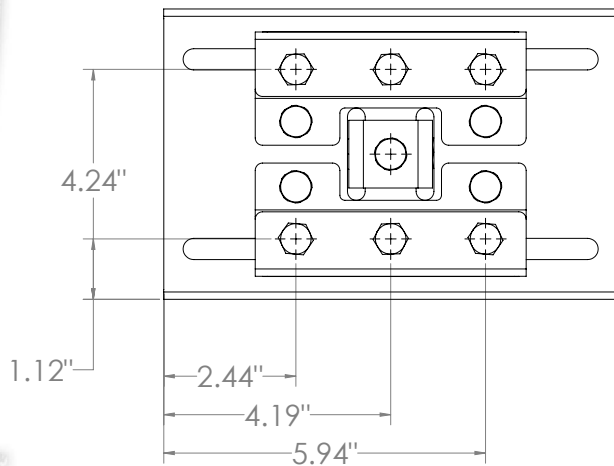




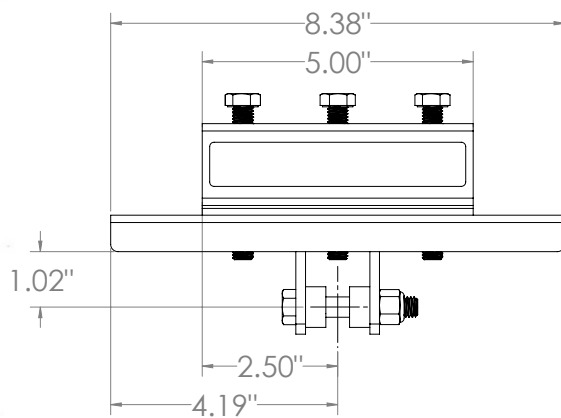
DATA SHEET

IB-2100 I-Beam Mount

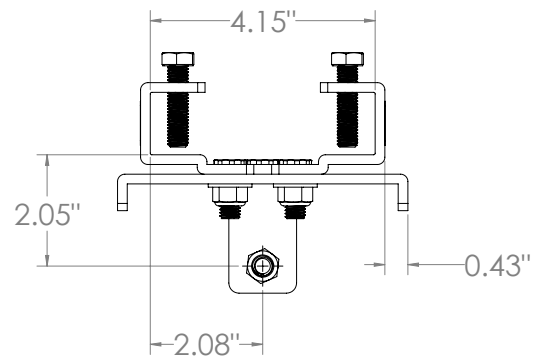
FOR 4" TO 10" I-BEAMS
4" SHORT SIDE CONFIGURATION SHOWN
MODEL IB-2100
- UP TO 300LB BAGS



TOP VIEW



FRONT VIEW



SIDE VIEW

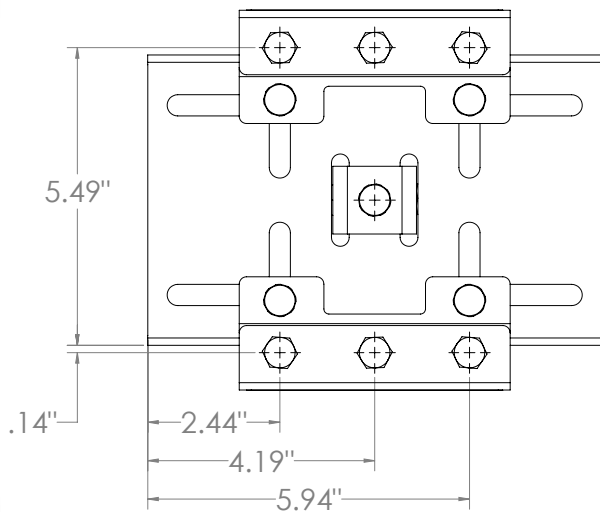




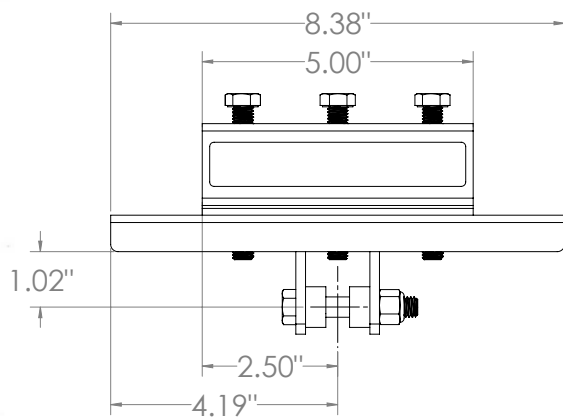
DATA SHEET

IB-2100 I-Beam Mount

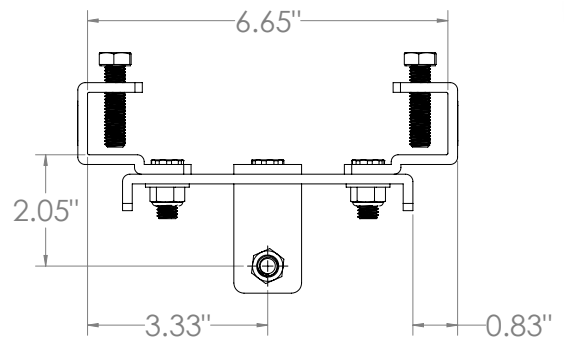
FOR 4" TO 10" I-BEAMS
6" SHORT SIDE CONFIGURATION SHOWN
MODEL IB-2100
- UP TO 300LB BAGS



TOP VIEW



FRONT VIEW



SIDE VIEW

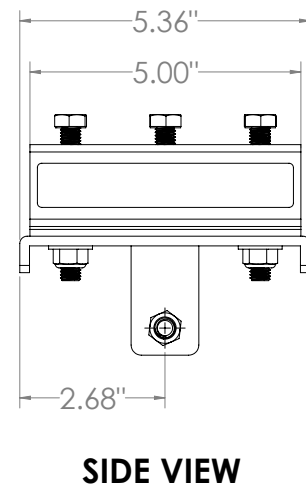
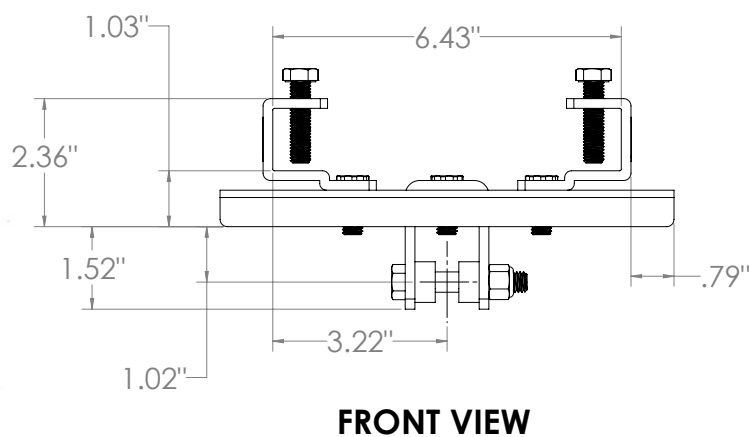
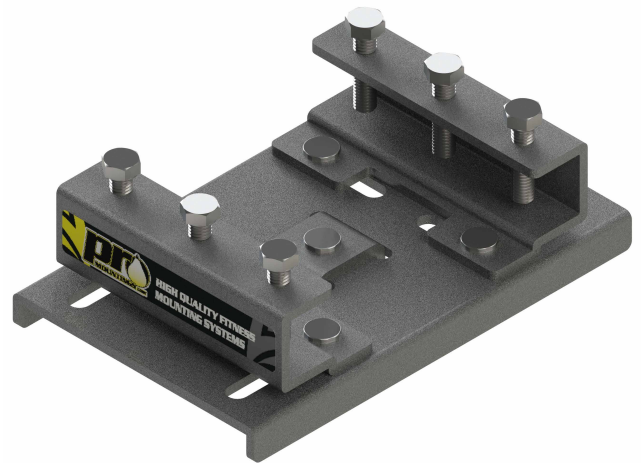
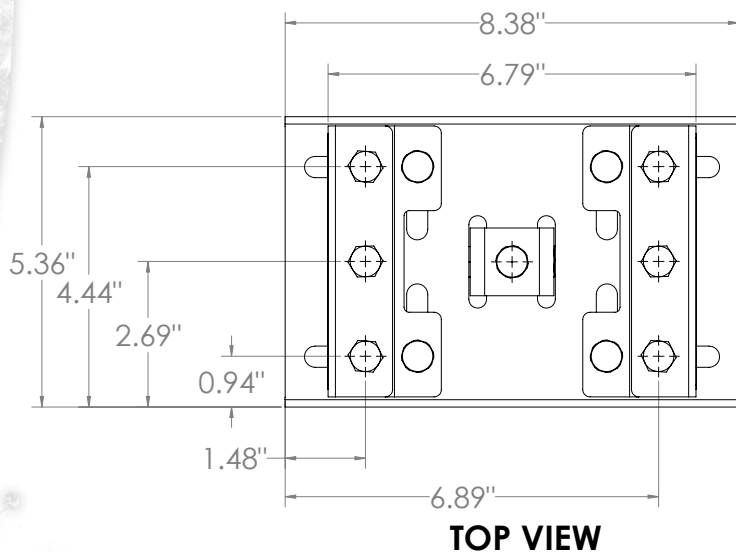




DATA SHEET

IB-2100 I-Beam Mount

FOR 4" TO 10" I-BEAMS
6" LONG SIDE CONFIGURATION SHOWN
MODEL IB-2100
- UP TO 300LB BAGS

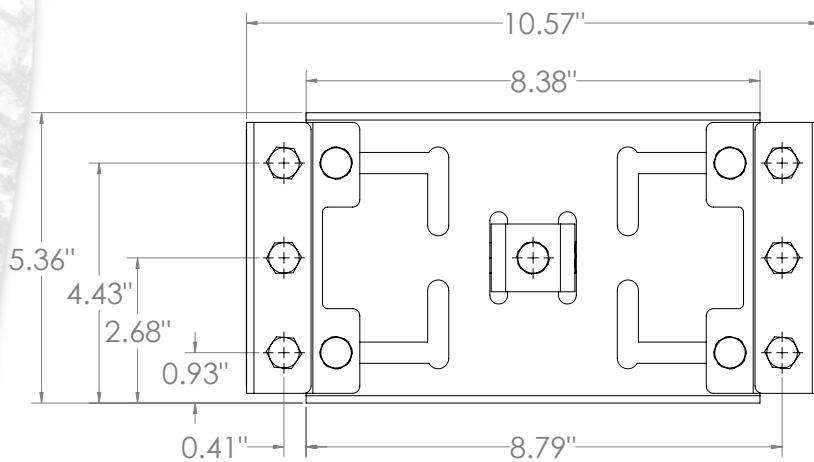




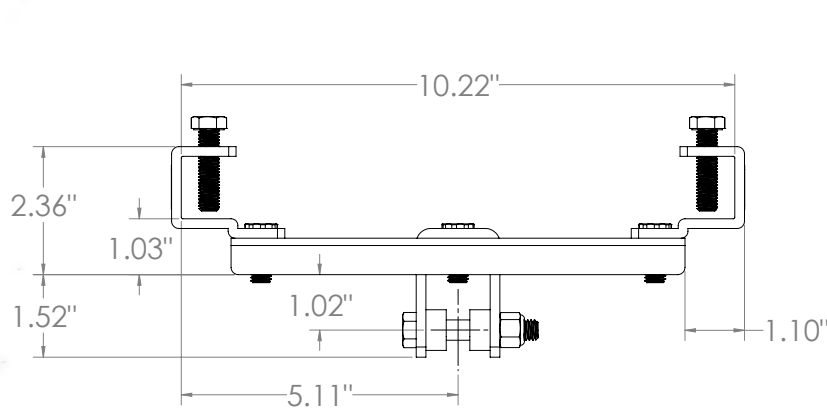
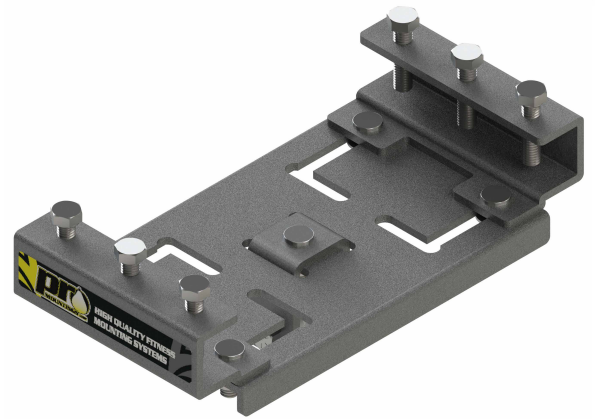
DATA SHEET

IB-2100 I-Beam Mount

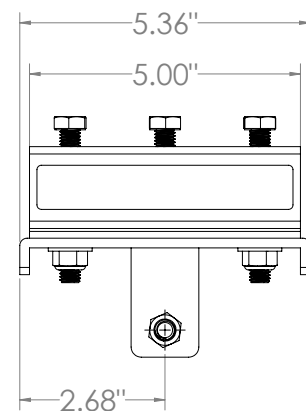
FOR 4" TO 10" I-BEAMS
10" LONG SIDE CONFIGURATION SHOWN
MODEL IB-2100
- UP TO 300LB BAGS



TOP VIEW



FRONT VIEW



SIDE VIEW





DATA SHEET

IB-2100 **I-Beam Mount**

MODEL IB-2100
- UP TO 300LB BAGS



PRODUCT DETAILS

- For Heavy Bags up to 300lbs.
- Fabricated from 3/16" Thick Gauge Steel.
- Premium Black Textured Powder Coating for Durable Lasting Finish.
- Upgraded Grade 8 fastening hardware included.
- Adjustable for I-Beams that are between 4" and 10" wide.
- Great for commercial use.
- Installs in minutes! No Drilling Required.
- Made in USA.





DATA SHEET

IB-2100 **I-Beam Mount**

MODEL IB-2100 **- UP TO 300LB BAGS**

MOUNTING INSTRUCTIONS

1. Loosely position the IB-2100 onto the I-Beam.
2. Move the two mounting flanges towards one another, until both parts touch the I-Beam.
3. Fasten hex nuts onto bottom screws using wrench or a similar tool.
4. Finger tighten the two hex bolts above the first mounting flange.
5. Finger tighten the two hex bolts above the second mounting flange.
6. Tighten all Bolts using wrench or a similar tool to secure the Mount to the I-Beam.
7. Position Spacer rings and secure with bolt and nut.

